

Simulation of Condensation in Compressed Raw Biogas Using Aspen HYSYS

Lars Erik Øi¹ Jon Hovland²

¹Department of and Process, Energy and Environmental Technology, University College of Southeast Norway

²SINTEF Tel-Tek, SINTEF Industry, Porsgrunn, Norway

lars.oi@usn.no

Abstract

Raw biogas typically contains 60 % methane, 40 % CO₂, small amounts of other components and is saturated with water. It is a question whether raw biogas can be compressed to high pressures without condensation. The aim of this work is to calculate the condensation limit under different conditions with varied temperature, pressure and gas composition using different equilibrium models. Traditionally, gas mixtures of methane, CO₂ and water are calculated in a process simulation program with standard models like Peng-Robinson (PR) and Soave-Redlich-Kwong (SRK). PR and SRK with the α -function replaced with a Twu α -function were also evaluated. For mixtures with only methane and CO₂ (dry biogas) all the models gave similar results. Under normal ambient temperatures (above 0 °C), a dry mixture with more than 40 % methane will not give any condensation. For biogas saturated with water, the different models gave similar results up to about 70 bar when binary coefficients were included, but above this pressure there were significant deviations between the models. The PR and SRK with standard or Twu α -function gave reasonable results for the dew-point predictions, but above about 70 bar the uncertainty increases.

Keywords: CO₂, methane, water, biogas, phase envelope, Aspen HYSYS

1 Introduction

Biogas is a mixture of methane, CO₂ and usually small amounts of other components like water and H₂S. Bio-methane (purified biogas) contains typically 97 % methane, and raw biogas typically contains 60 % methane, 40 % CO₂ and is saturated with water. Purified biogas is transported in cylinders under high pressure (typically 230 bar) or is injected into natural gas pipelines. It is a question whether raw biogas can be compressed to such high pressures because of the possibility of unwanted condensation. CO₂ and water in

the liquid phase is very corrosive, and may lead to operating problems. Hovland (2017) has concluded that condensation will normally be avoided when compressing dry biogas, but that it is dependent on the water concentration when compressing raw biogas.

Traditionally, gas mixtures of methane, CO₂ and water are calculated in a process simulation program with standard models like PR (Peng and Robinson, 1976) and SRK (Soave, 1972). It is known that these models simulate the gas phase and the condensation point quite accurately at least below the critical point (46 bar for methane and 74 bar for CO₂), but the resulting liquid phase may be questionable. Equilibrium models like HV (Huron and Vidal, 1979) and TST (Twu et al., 2005) have more parameters, and these models have been shown to give good results also for the liquid composition in CO₂ and water condensate in a mixture with methane. Other more complex models like SAFT-VR (Al Ghafri et al., 2014) and CPA (Austegard et al., 2006) have been used to describe this system.

There are a number of articles available studying the calculations and models for vapour/liquid equilibrium in the methane/CO₂/water-system (Austegard et al., 2006; Privat and Jaubert, 2014; Al Ghafri et al., 2017; Legoix et al., 2017). Austegard et al. conclude that a simple equation of state like SRK is satisfactory to describe the vapour phase, but only more complex models like e.g. SRK combined with a HV model is necessary to describe the liquid phase.

Water solubility in CO₂ gas or a mixture of CO₂ and methane shows a minimum for a constant temperature between 50 and 100 °C at a pressure in the range of the critical pressures (Austegard et al., 2006; Aasen et al., 2017; Privat and Jaubert, 2014). For this system, a minimum solubility is equivalent to a maximum dew point temperature. The water solubility in pure CH₄ is close to constant over a large pressure range close to the critical pressure (Privat and Jaubert, 2014).

Circone et al. (2003) have studied hydrate formation in CO₂/water mixtures and compared with methane hydrates. Hydrates in equilibrium in this system have been observed up to 13 °C (Al Ghafri et al., 2014) but will probably not be a practical problem above 0 °C.

There are several authors studying models for the system CO₂/water (Spycher et al., 2003; Longhi 2005;

Aasen et al., 2017). Aasen et al. have compared several different models including combinations of different equilibrium models. They conclude that a PR model in combination with HV and a volume shift gives the best results when also prediction of phase compositions and densities should be included.

The first aim of this work is to calculate the condensation limit for dry biogas and raw biogas under different temperature, pressure and gas composition using different equilibrium models. The last aim is to evaluate whether the selected models are satisfactory to predict the condensation limits for biogas compression and condensation.

2 Simulation Programs and Models

Commercial process simulation programs which have been used for calculating gas and liquid properties including condensation for mixtures of methane, CO₂ and water are Aspen Plus, Aspen HYSYS, Pro/II and ProMax. Process simulation programs are useful for simulation of such processes because several vapour/liquid equilibrium models are available in the programs.

In Aspen HYSYS, the equilibrium models SRK (Soave, 1972), PR (Peng and Robinson, 1976) and TST (Twu et al., 2005) are available for systems containing methane, CO₂ and water. In the SRK-Twu and PR-Twu models, the original α -function is replaced by a function from Twu et al. (1991). The PR model has only one adjustable parameter for each binary component pair while TST has 5 adjustable parameters for each binary pair. In Aspen Plus, the SRK model combined with HV is available, but this model is not available in Aspen HYSYS.

The equations for the SRK equation of state are shown in equations 1-8.

$$p = \frac{RT}{v-b} - \frac{a}{v(v+b)} \quad (1)$$

$$b = \sum_{i=1}^N x_i b_i \quad (2)$$

$$b_i = \frac{0,08664RT_c}{p_c} \quad (3)$$

$$a = \sum_{i=1}^N \sum_{j=1}^N x_i x_j (a_i a_j)^{0,5} (1 - k_{ij}) \quad (4)$$

$$a_i = a_{ci} \alpha_i \quad (5)$$

$$a_{ci} = \frac{0,42748R^2 T_c^2}{p_c} \quad (6)$$

$$\alpha_i = \left[1 + m_i \left(1 - T_r^{1/2} \right) \right]^2 \quad (7)$$

$$m_i = 0,48 + 1,574\omega_i - 0,176\omega_i^2 \quad (8)$$

P, T, v and R are the pressure, temperature, molar volume and universal gas constant, respectively.

T_c is the critical temperature, ω is the acentric factor and T_r is the reduced temperature defined as the ratio between T and T_c. The binary interaction parameter k_{ij} (equal to k_{ji}) is a constant that may be fitted for a binary component pair and x_i is the mole fraction for component i. In the PR equation, equation 1, 3, 6 and 8 are replaced by equation 9, 10, 11 and 12.

$$p = \frac{RT}{v-b} - \frac{a}{v(v+b)+b(v-b)} \quad (9)$$

$$b_i = \frac{0,077796RT_c}{p_c} \quad (10)$$

$$a_{ci} = \frac{0,457235R^2 T_c^2}{p_c} \quad (11)$$

$$m_i = 0,37464 + 1,54226\omega_i - 0,26992\omega_i^2 \quad (12)$$

In the SRK-Twu and PR-Twu equations, the α -function is replaced by equation 13. Fitted values for the parameters L, M and N for CO₂ and water can be found in (Twu et al., 2005).

$$\alpha_i = (T_r^{N(M-1)}) e^{L(1-T_r^{NM})} \quad (13)$$

The TST equation of state (equation 14) use the Twu α -function. Equation 3 and 6 in the SRK equation are similar for the TST equation except for the numerical constants which are 0.07407 (for b_i) and 0.47051 (for a_i).

$$p = \frac{RT}{v-b} - \frac{a}{(v-0,5b)(v+3b)} \quad (14)$$

The TST equation can be combined with the NRTL activity coefficient model to include non-ideal components. In the case of calculating the dew point of only methane, CO₂ and water, the use of NRTL coefficients is not necessary. A combined TST and NRTL model is used in Aspen HYSYS when modelling glycol dehydration (Twu et al., 2005) including the highly non-ideal binaries between glycol and other components. The TST model must have model parameters fitted to experimental values to be accurate, especially when it is combined with a liquid model like NRTL.

In the standard version of SRK and PR, k_{ij} is a constant for each binary pair. When utilizing the default k_{ij} values in Aspen HYSYS, the k_{ij} values are constant for all component pairs except for water/CO₂ where it is a temperature dependent function. In literature, different optimized values for the k_{ij} values can be found because the parameters may be optimized for different conditions, e.g. for accurate prediction of either the gas phase or the condensate phase. For the calculation of dew points, it is reasonable to use binary interaction coefficients optimized for the gas phase.

3 Process Description and Simulation Specifications

3.1 Process description of raw biogas compression

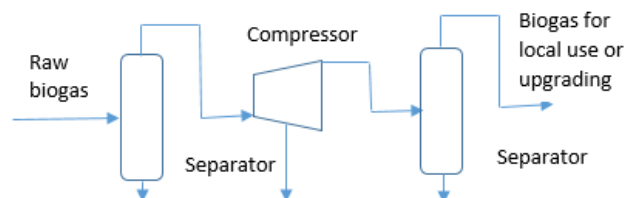


Figure 1. A traditional raw biogas compression process

A simplified diagram for a traditional raw biogas compression process is shown in Figure 1. Raw biogas is produced by anaerobic digestion where the temperature will typically be in the range 37 - 55 °C. Typical concentrations are 50-70 mol-% CH₄ (Pettersson and Wellinger, 2009). The rest is mainly CO₂, but traces of H₂S and organic components containing nitrogen and sulphur can be expected. The raw biogas will normally be saturated with water.

When the raw biogas production is above 100 Nm³/h, it can be reasonable to upgrade it on-site. However, with lower volumes it can be too expensive to have on-site upgrading. For volumes below 100 Nm³/h, Hovland (2017) suggests that it may be of interest to compress the gas to a high pressure, typically above 100 bar, and transport it to a facility for upgrading to biomethane (> 97 mol-% methane). Before or during compression, the raw biogas may be treated to remove some of the impurities. To reduce the amount of water, it can be cooled to remove some of the water as condensate before compression.

Possible removal options for different components in biogas cleaning and upgrading can be found in Pettersson and Wellinger (2009).

Condensed water formed after compression will normally be separated from the compressed gas. If the compression is performed in several stages with cooling between the stages, condensate may be removed after each stage. In most cases, condensation during compression is regarded to be a problem, and should be avoided.

3.2 Simulation specifications

Process simulations are performed for 4 conditions relevant for biogas production. For most of the cases the models PR, SRK, TST, PR-Twu and SRK-Twu are used. For all the conditions, calculations with the default parameters (especially the k_{ij} for water) are used. For some conditions other k_{ij} values are also used. In some cases, phase envelopes are calculated. In the dry gas

cases, the HYSYS 2-phase option was selected. In the cases including water, the ComThermo 3-phase option was selected. The 4 cases for the different conditions are specified as case A to D.

- A) Dry biogas with 60 mol-% methane and 40 mol-% CO₂ starts at 37 °C and 1 bar, is cooled to 10 °C and is compressed in three stages to 64 bar. The specifications are listed in Table 1.
- B) Dry biogas with 40 mol-% methane and 60 mol-% CO₂ starts at 37 °C and 1 bar, is cooled to 10 °C and is compressed in three stages to 64 bar.
- C) 60 kmol/h methane, 40 kmol/h CO₂ and 10 kmol/h water is mixed at 37 °C and 1 bar and cooled to 10 °C, then the liquid phase is removed and it is then compressed in three stages to 64 bar. The resulting water concentration was then approximately 1.2 %.
- D) 59.9 kmol/h methane, 40 kmol/h CO₂ and 0.1 kmol/h water is mixed at 37 °C and 1 bar, cooled to 10 °C, and then compressed in three stages to 64 bar.

Table 1. Specifications for the case A simulation

Parameter	Value
Inlet gas temperature	37 °C
Temperature before compression	10 °C
Inlet gas pressure	1 bar
Pressure after compression	64 bar
Inlet CH ₄ flow	60 kmol/h
Inlet CO ₂ flow	40 kmol/h

4 Process Simulation, Results and Discussion

4.1 Simulation of compression of dry methane/CO₂ mixture (Case A and B)

The Aspen HYSYS flow-sheet model for the base case simulation is presented in Figure 3.

Table 2. Dew point at 64 bar, cricondeterm and cricondenbar for a mixture of 60 mol-% methane and 40 mol-% CO₂ (Case A)

Model	T _{DEW} (°C)	T _{CRIC} (°C)	P _{CRIC} (bar)
PR	-23.6	-22.5	83.2
SRK	-23.3	-22.1	82.6
TST	-21.5	-20.3	79.6
PR-Twu	-24.7	-23.6	83.0
SRK-Twu	-24.0	-22.9	83.5

All the models calculate that condensation in dry gas with 60 % methane does not appear above $-20\text{ }^{\circ}\text{C}$. This is below normal process and operating conditions. In a cold climate temperatures may be lower than $-20\text{ }^{\circ}\text{C}$. The possibility for such low temperatures is also possible under depressurization, e.g. through a valve. It is expected that all the models in Table 2 are capable of calculating condensing conditions for dry biogas under depressurization reasonably accurate.

Case B is of interest because a 40 % methane and 60 % CO_2 has a dew point close to $0\text{ }^{\circ}\text{C}$. Based on earlier evaluations mainly based on measurements and calculations from Yang et al. (2015), Hovland (2017) concluded that below 58 % CO_2 , no condensation would appear if the temperature is kept above $-3\text{ }^{\circ}\text{C}$.

Table 3. Dew point at 64 bar, cricondeterm and cricondenbar for a mixture of 40 mol-% methane and 60 mol-% CO_2 (Case B)

Model	T_{DEW}	$T_{\text{CRIC}}\text{ (}^{\circ}\text{C)}$	$P_{\text{CRIC}}\text{ (bar)}$
PR	-5.4	-1.7	89.5
SRK	-5.2	-1.3	88.4
TST	-3,9	-0.5	82.6
PR-Twu	-6,3	-2.7	90.0
SRK-Twu	-5,8	-1.8	90.5

The calculated cricondeterms with different models have a maximum deviation of $2.2\text{ }^{\circ}\text{C}$. From this it is concluded that the results can be expected to be fairly accurate for all the models evaluated. No condensation will appear above $0\text{ }^{\circ}\text{C}$ in a dry biogas with less than 60 mole-% CO_2 . This conclusion is consistent with the conclusion from Hovland (2017) that no condensation should appear above $-3\text{ }^{\circ}\text{C}$ in a mixture with less than 58 mole-% CO_2 .

It was checked whether changing the k_{ij} parameter for methane/ CO_2 would change the results. It was found that the results in Table 3 were only slightly influenced by varying the k_{ij} parameter.

A phase envelope from Aspen HYSYS is shown in Figure 2. The important part for the evaluation of condensation is the dew point curve to the right. The point with the highest temperature is the cricondeterm. The point with the highest pressure is the cricondenbar. In the critical point for the mixture, slightly to the left of the cricondenbar, the compositions in both phases are equal. The calculated envelopes are similar up to about 70 bar, but above 70 bar, the decrease in dew point is different dependent on the model and dependent on the model parameters, especially the binary interaction parameters.

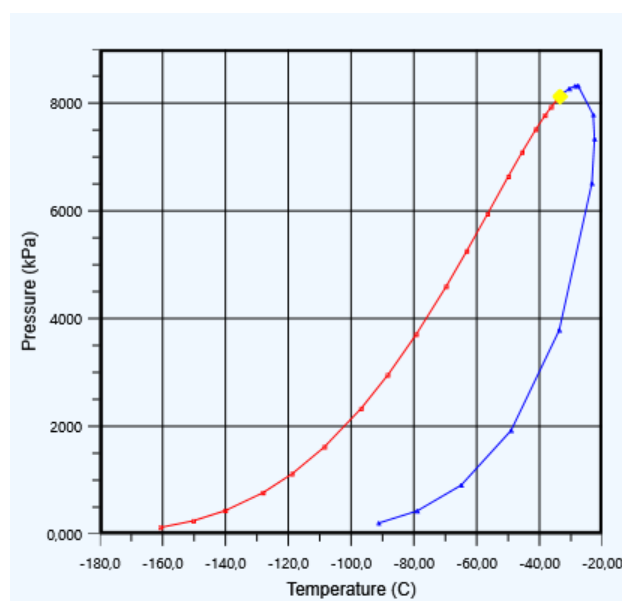


Figure 2. Phase envelope, Peng-Robinson, $\text{CH}_4=0.6$, $\text{CO}_2=0.4$, default $k_{ij}=0.1$

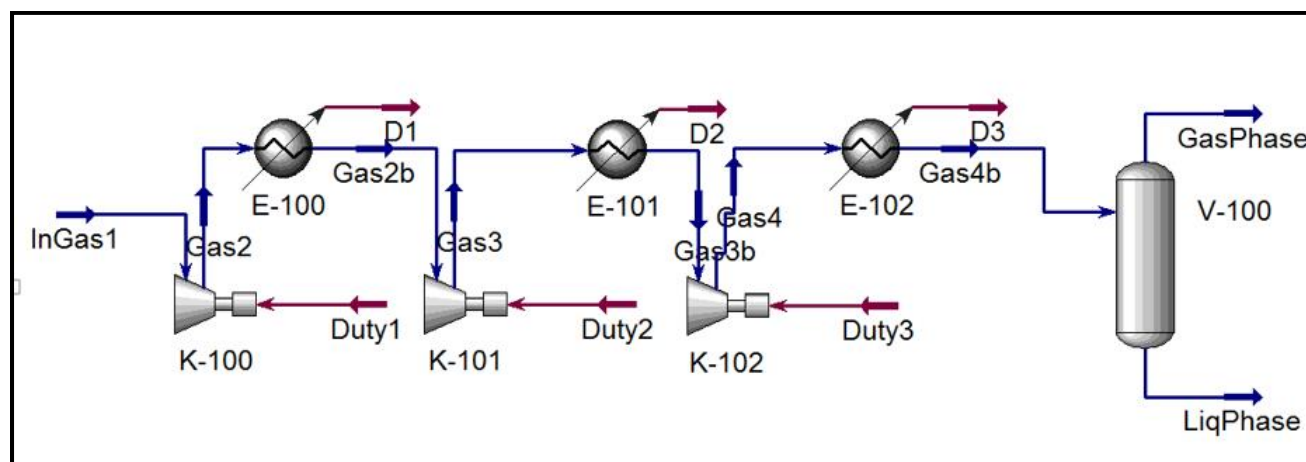


Figure 3. Aspen HYSYS flow-sheet for compression with intercooling and separation

4.2 Simulation of compression of a raw biogas including water, Case C and D

In Case C and D, the process was simulated with water included. In Case C, biogas saturated with water at 10 °C is simulated. The stream then contains approximately 1.2 mol-% water before the compressor. In Table 4, the dew point, cricondeterm and the pressure at the cricondeterm are shown using different models with default values from Aspen HYSYS. The first results for TST, PR-Twu and SRK-Twu in Table 4 were performed without k_{ij} for the water binaries. When the option including k_{ij} 's for water binaries was used, the dew point temperatures were much closer to the PR and SRK models.

Table 4. Dew point at 64 bar, cricondeterm and pressure at cricondeterm for a mixture of 60 mol-% methane and 40 % CO₂ saturated with water at 10 °C (Case C)

Model	T _{DEW} (°C)	T _{cric}	P _{crict} (bar)
PR	82.9	-	-
SRK	82.9	-	-
TST	76.6	78.8	96
PR-Twu	76.6	78.9	99
SRK-Twu	77.0	79.7	101
TST+k _{ij}	85.6	-	-
PRTwu+k _{ij}	85.5	-	-
SRKTwu+k _{ij}	85.6	-	-

A phase envelope from the calculations in Aspen HYSYS is shown in Figure 4. The curve to the right is the dew point curve. The other lines are phase boundary lines without importance for the condensate limit.

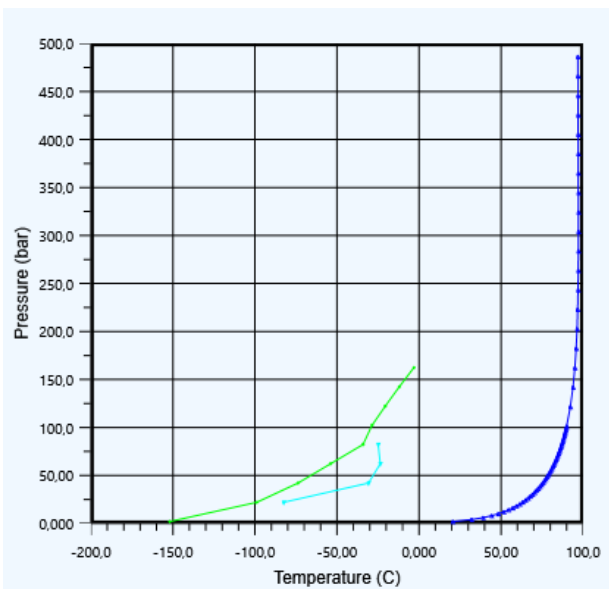


Figure 4. Phase envelope for PR, 60 kmol CH₄, 40 kmol CO₂, saturated with water at 10 °C. Default k_{ij} values.

The phase envelope calculated with SRK was similar to the envelope in Figure 4. However, with the other models, especially those calculated without k_{ij} values for water binaries, the dew point decreased significantly when the pressure increased above 70 bar. Using other k_{ij} values for water/CO₂, the envelope curve changed considerably above 70 bar. The reason for different binary coefficients is that they may be optimized for either the gas phase or the condensate phase. The CO₂ concentration in the condensed water phase was compared for the different models, and the difference was up to a factor of two. The difference between the calculated results from the different models above 70 bar are significant, so the uncertainty in this region must be regarded as large. There are few experimental points for the three component system in this region (Al Ghafri et al., 2014).

In Case D, the water mole fraction was specified to 0.001. This water concentration is possible to obtain if condensate is removed after intercooling steps in the compressor. Results are shown in Table 5. The phase envelope for PR is shown in Figure 5.

Table 5. Dew point at 64 bar, cricondeterm and pressure at cricondeterm for a mixture of 60 mol-% methane and 40 mol-% CO₂ with 0.1 % water (Case D)

Model	T _{DEW} (°C)	T _{CRIC} (°C)	P _{CRIC} (bar)
PR	26.5	27.6	89.7
SRK	26.9	28.0	89.2
TST+k _{ij}	28.8	32.1	122
PRTwu+k _{ij}	28.5	32.1	121
SRKTwu+k _{ij}	28.8	32.2	122

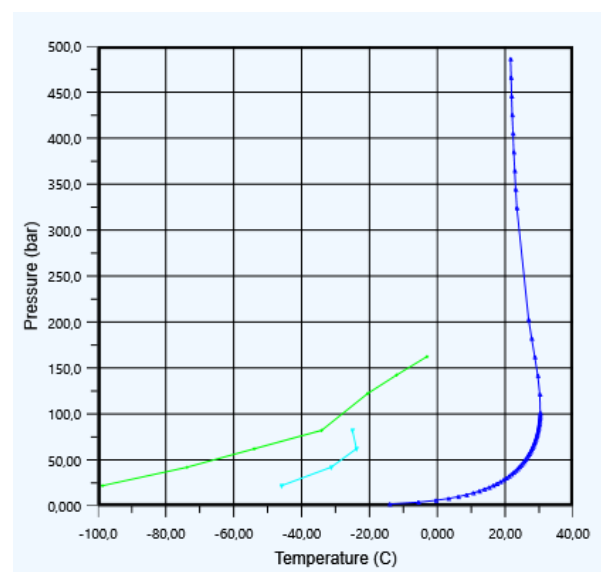


Figure 5. Phase envelope for PR model, 59,9 mol% CH₄, 40 mol% CO₂, 0.1 mol% water: Default k_{ij} for water/CO₂

The envelopes in Case D are similar for the different models up to about 70 bar, but above 70 bar, the decrease in dew point is different dependent on the model and dependent on the model parameters, especially the k_{ij} for water and CO₂. As for the case with a higher water concentration, the difference between the models above 70 bar is significant, so that the uncertainty above 70 bar must be regarded as large. The deviation is more than 5 °C for the calculation of the cricondenterm and more than 30 bar for the calculation of the pressure at the cricondenterm.

When using an equation of state, it is reasonable that the non-ideality and uncertainty increases when the pressure increases, and also when the mixture is close to condensation and close to the critical point which is order of magnitude 70 bar. The prediction of vapour/liquid equilibrium becomes more uncertain when water is added to CO₂ and methane because the physical interactions become more complex. The binary parameters which are meant to adjust for non-ideality are normally fitted in the region of vapour/liquid equilibrium which is below order of magnitude 70 bar.

5 Conclusion

The condensation limit for dry and raw biogas under different conditions with varied temperature, pressure and gas composition and using different equilibrium models were calculated.

For dry biogas, all the models Peng-Robinson (PR), Soave-Redlich-Kwong (SRK), PR-Twu, SRK-Twu and Twu-Sim-Tassone (TST) gave similar results. Biogas with 60 mol-% CH₄ and 40 mol-% CO₂ will have a condensation temperature less than -20 °C. Under normal ambient temperatures (above 0 °C), a mixture with more than 40 % methane will not give any condensation.

A process is simulated where raw biogas is cooled to 10 °C to remove water before compression. The results with biogas saturated with water at low pressure, the different models gave similar results up to about 70 bar, but above this pressure, different models gave different results. The results were dependent on the chosen value of the water/CO₂ binary interaction coefficient. The deviation in dew point temperature was about 6 K.

Both the standard PR and SRK models and the PR and SRK with the Twu α -function and with water/CO₂ binary coefficients included, gave reasonable results for the dew-point and to predict the conditions where it should be safe to avoid condensation.

For the calculation of dew points, it is recommended to use binary interaction coefficients optimized for the gas phase. If accurate calculations of the liquid composition after condensation is needed, a more advanced model like TST or HV with fitted parameters is recommended.

References

- A. Aasen, M. Hammer, G. Skaugen, J. P. Jakobsen and Ø. Wilhelmsen. Thermodynamic models to accurately describe the PVTxy-behaviour of water/carbon dioxide mixtures, *Fluid Phase Equilibria*, 442:125-139, 2017.
- S. Z. S. Al Ghafri, E. Forte, G. C. Maitland, J.J. Rodriguez-Henriquez and J. P. M. Trusler. Experimental and Modeling Study of the Phase Behaviour of (Methane + CO₂ + Water) Mixtures. *Journal of Physical Chemistry*, 118:14462-14478, 2014.
- A. Austegard, E. Solbraa, G. de Koeijer and M. J. Mølnvik. Thermodynamic models for calculating mutual solubilities in H₂O-CO₂-CH₄ mixtures. *Trans IChemE, Part A, Chem. Eng. Res. Des.*, 84(A9):781-7946, 2006.
- S. Circone, L. A. Stern, S. H. Kirby, W. B. Durham, B. C. Chakoumakos, C. J. Rawn, A. J. Rondinone and Y. Ishii. CO₂ Hydrate: Synthesis, Composition, Structure, Dissociation Behaviour, and a Comparison to Structure I CH₄ Hydrate. *Journal of Physical Chemistry B*, 2003. doi:10.1021/jp027391j
- J. Hovland. Compression of raw biogas – A feasibility study. Tel-Tek report 2217020-1, 2017. Available on <https://www.biogas2020.se/wp-content/uploads/2017/06/2217020-1compressionrawbiogas.pdf>
- M. J. Huron and J. Vidal. New mixing rules in simple equations of state for representing vapour-liquid equilibria of strongly non-ideal mixtures. *Fluid Phase Equilibria*, 3:255-271, 1979.
- L. N. Legoux, L. Ruffine, J. P. Donval and M. Haeckel. Phase Equilibria of the CH₄-CO₂ Binary and the CH₄-CO₂-H₂O Ternary Mixtures in the Presence of a CO₂-Rich Liquid Phase. *Energies*, 10(2034):1-11, 2017. Doi:10.3390/en10122034.
- J. Longhi. Phase equilibria in the system CO₂-H₂O I: New equilibrium relations at low temperatures. *Geochimica et Cosmochimica Acta*, 69, No. 3: 529-539, 2005.
- D. Peng and D. B. Robinson. A New Two-Constant Equation of State. *Ind. Eng. Chem. Fundam.*, 15(1):59-646, 1976.
- A. Petersson and A. Wellinger. Biogas upgrading technologies – developments and innovations. IEA Bioenergy Task 37, 2009. Available on www.iea-biogas.net
- R. Privat and J. N. Jaubert, *Predicting the Phase Equilibria of Carbon Dioxide Containing Mixtures Involved in CCS Processes Using the PPR78 Model*. InTech, 2014. Available on <http://dx.doi.org/10.5772/57058>.
- G. Soave. Equilibrium constants from a modified Redlich-Kwong equation of state. *Chemical Engineering Science*, 27:1197-1203, 1972.
- N. Spycher, K. Pruess and J. Ennis-King. CO₂-H₂O mixtures in the geological sequestration of CO₂. I. Assessment and calculation of mutual solubilities from 12 to 100 °C and up to 600 bar. *Geochimica et Cosmochimica Acta*, 67 (16):3015-3031, 2003.
- C. H. Twu, D. Bluck, J. R. Cunningham and J. E. Coon. A Cubic Equation of State with a New Alpha Function and a New Mixing Rule. *Fluid Phase Equilibria*, 69:33-50, 1991.
- C. H. Twu, V. Tassone, W.D. Sim and S. Watanasiri. Advanced equation of state method for modeling TEG-water for glycol gas dehydration, *Fluid Phase Equilibria*, 228-229:213-221, 2005.
- Z. Yang, M. Gong, Y. Zhou, X. Dong, X. Li, H. Li and J. Wu. Vapor-liquid equilibria of CH₄ + CO₂: A comparison between the molecular simulation and equation of state. *Science China Technological Sciences*, 58(4):650-658, 2015.